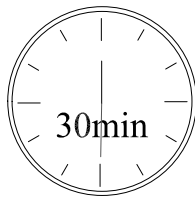
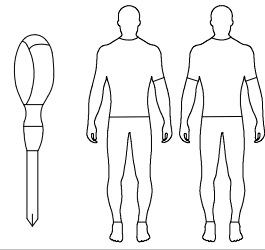
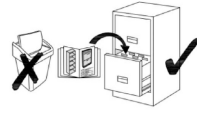
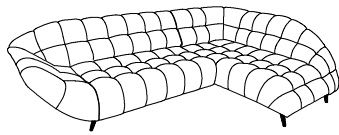
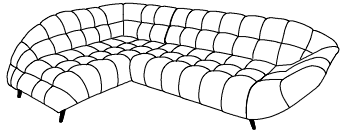
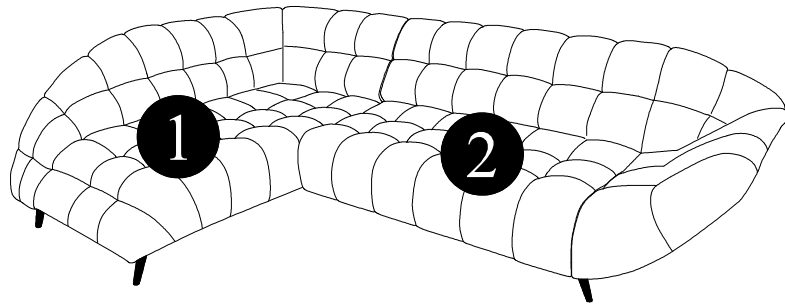


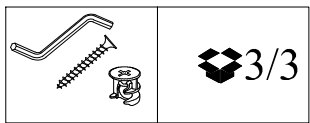
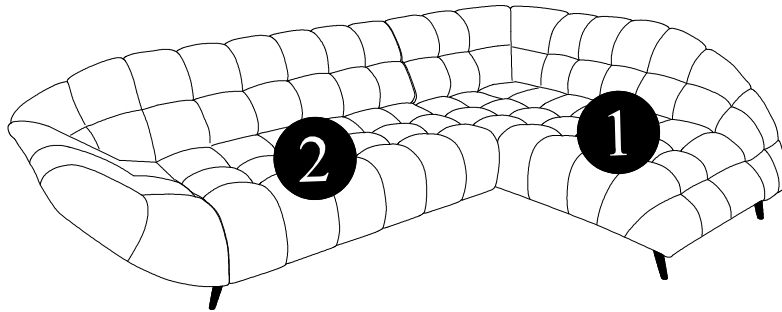
GAPPA





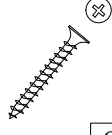
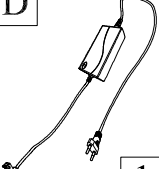

L



R

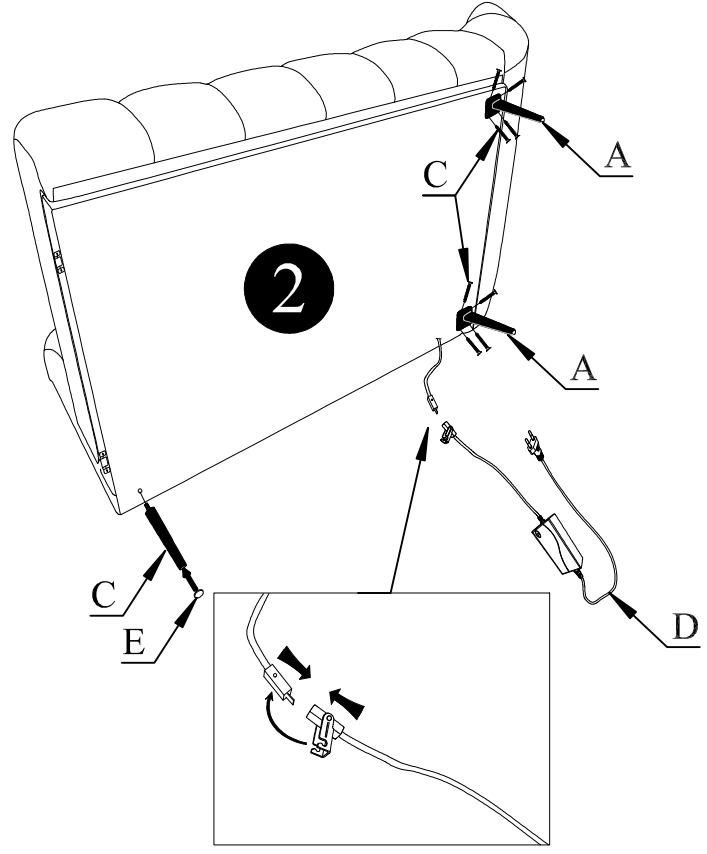


A 4x	B 4x	C 16x	D 1x	E 4x
H-155	H-150	5x30		

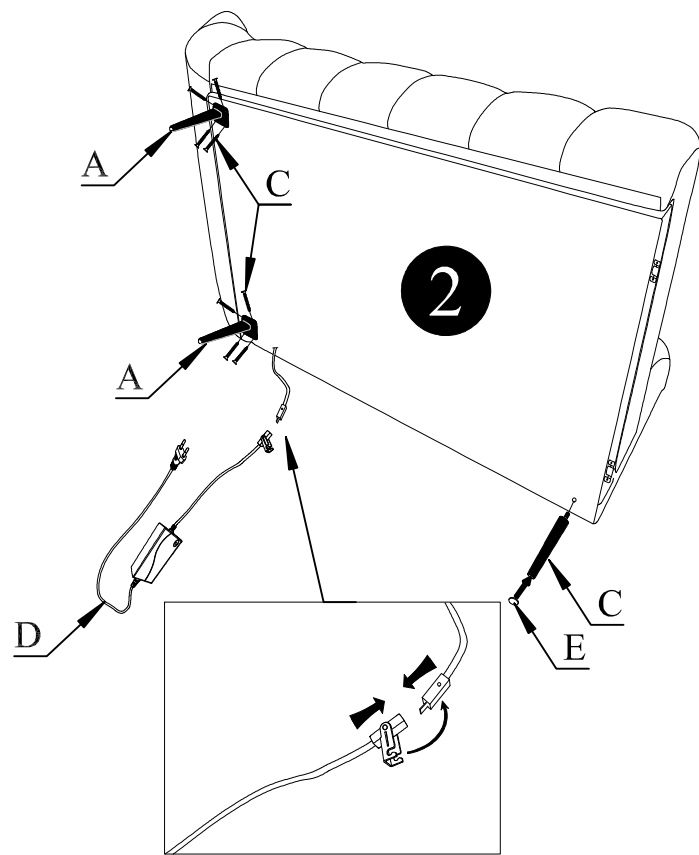
A 	B 	C 	D 	E 
2x	1x	8x	1x	1x
H-155	H-150	5x30		




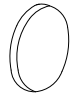
1

L



R

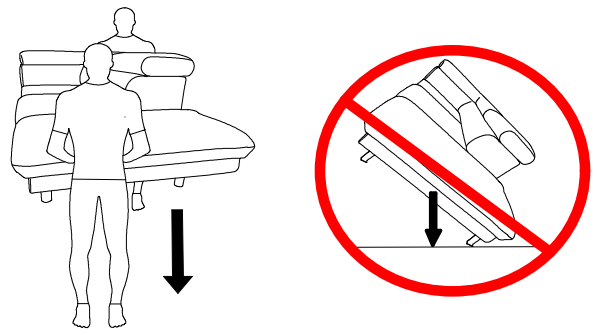
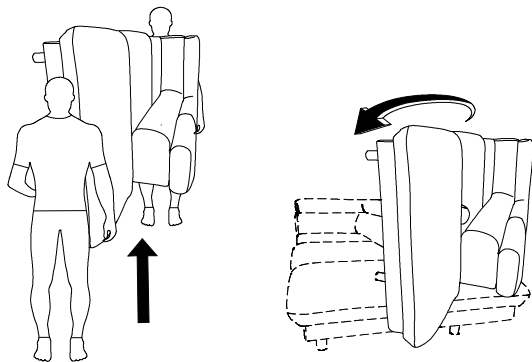
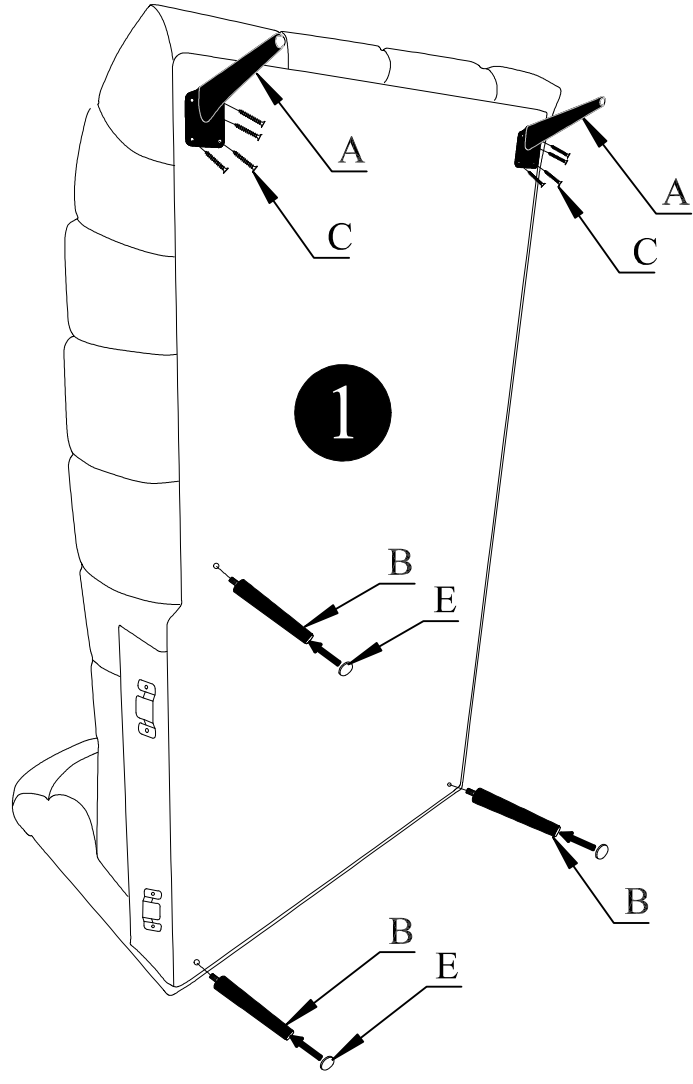
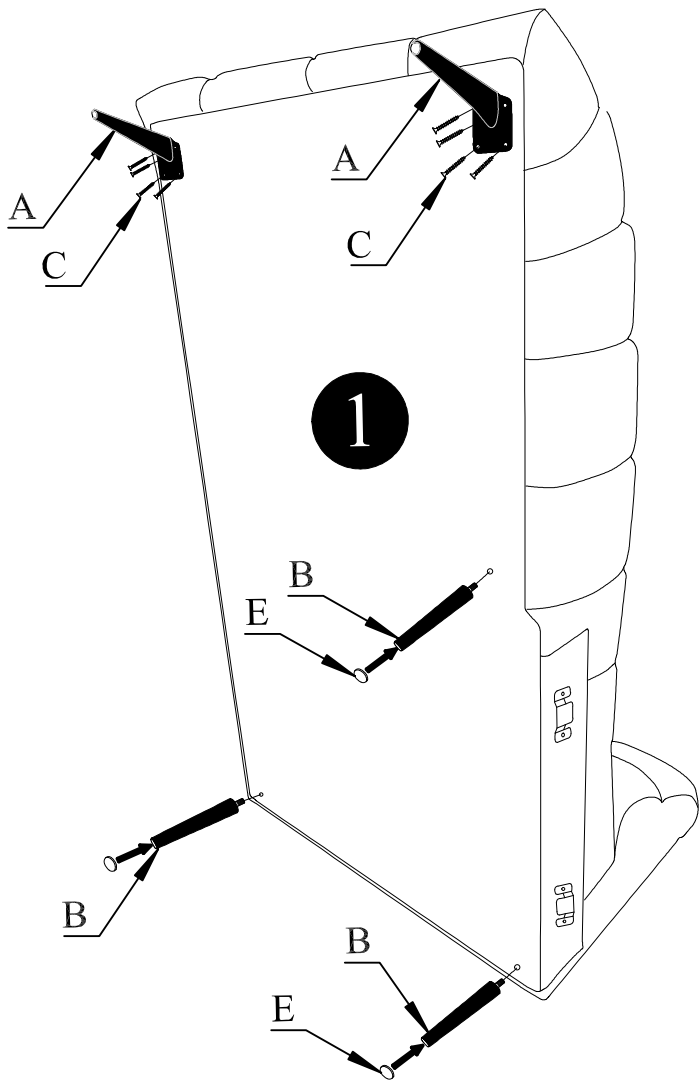


A	B	C	E
			
2x	3x	8x	3x
H-155	H-150	5x30	

2

L

R



3

